

# Specifications

## Ford Tapping Sleeves Style FAST

Ford FAST Tapping Sleeves take the guesswork out of large pipe taps. A gridded gasket surrounds the pipe and not only cushions the pipe during the tap but also helps prevent pipe breaks. The flange outlet is double welded inside and out.

The sleeve is constructed of Grade 18-8 type 304 stainless steel to provide corrosion protection and is easy to handle. Sleeves are available in pipe sizes 4" through 24", with flange outlets from 4" through 12". Detailed specifications and critical dimensions are outlined below.

**Test Plug**  
Waterworks brass 3/4" with standard square head. Proper use of this feature assures positive seal before tapping.

**Outlet**  
18-8 type 304 stainless steel Schedule 10 for 4" outlets. Schedule 5 for all outlets larger than 4".

**Flange**  
18-8 type 304 stainless steel flange with recess to accept standard tapping valves. Optional ASTM A36 carbon steel flange may be ordered. Flange conforms to AWWA C207 Class D ANSI 150 lb. drilling. Bolt holes straddle pipe center line.

**Bolts and Nuts**  
18-8 stainless steel UNC threads. Heavy hex nuts and washers are fluorocarbon-coated to prevent galling.

**Body**  
18-8 type 304 stainless steel for corrosion control. All welds are fully passivated to restore stainless characteristics.

**Lifter Bar**  
18-8 type 304 stainless steel provides a heavy bearing surface for nuts.

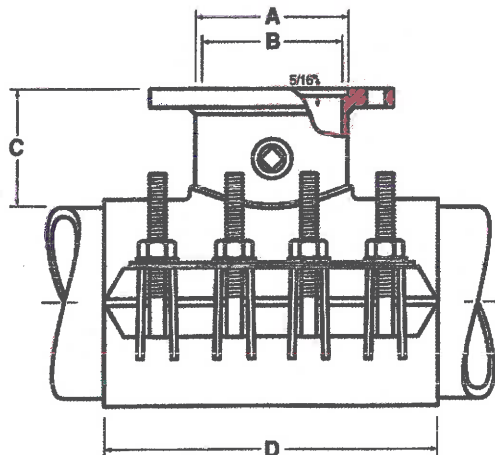
**Gasket**  
Gridded virgin SBR or Buna-N compounded for water service per ASTM D2000. Full gasket gives 360° pipe coverage. The outlet gasket is Buna-N.

**Armors**  
Heavy gauge 18-8 Type 304 stainless steel armors are molded flush into the gasket to bridge the gap between lugs.

**Rating**  
FAST sleeve is recommended for 150 PSI working pressure.

**LXI**  
APPROVED  
LXI Products meet  
ANSI/NSF Standard 61  
see page 3

## FAST Dimensions

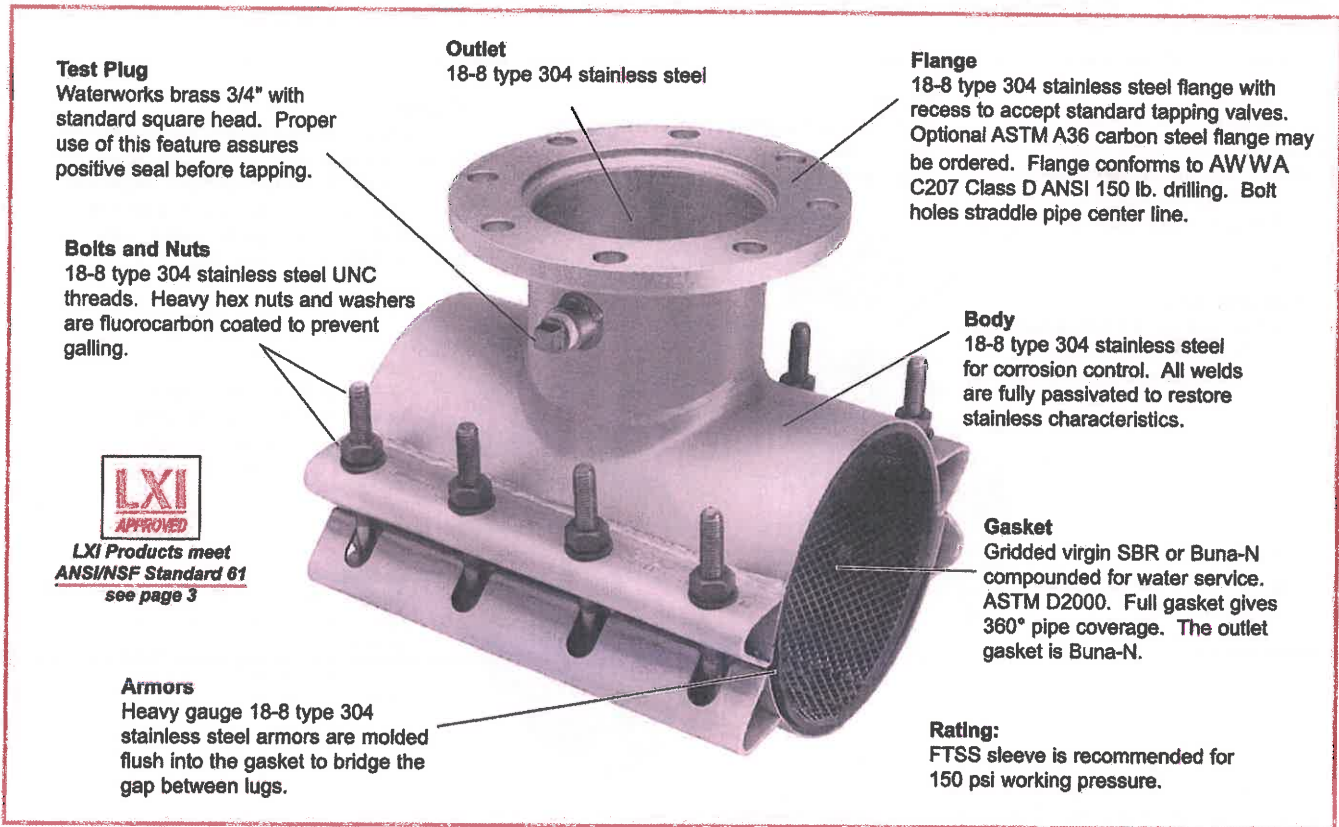


NOM. PIPE SIZE	FLANGE SIZE	A	B	C	D	STUD SIZE	NO. OF STUDS	DESIGN STYLE
4" through 12"	4"	5-1/32"	4-1/4"	5-3/16"	15"	5/8"	8	2 pc.
	6"	7-1/32"	6-3/8"	5-1/2"	15"	5/8"	8	2 pc.
	8"	9-1/32"	8-5/16"	5-5/8"	20"	5/8"	12	2 pc.
	10"	11-1/32"	10-1/4"	6-1/8"	20"	3/4"	12	2 pc.
14"	12"	13-1/32"	12-1/4"	6-1/4"	24"	3/4"	14	2 pc.
	4"	5-1/32"	4-1/4"	5-3/16"	16"	3/4"	10	2 pc.
	6"	7-1/32"	6-3/8"	5-1/2"	16"	3/4"	10	2 pc.
	8"	9-1/32"	8-5/16"	5-5/8"	20"	3/4"	12	2 pc.
16" - 18"	10"	11-1/32"	10-1/4"	6-1/8"	20"	3/4"	12	2 pc.
	12"	13-1/32"	12-1/4"	6-1/4"	24"	3/4"	14	2 pc.
	4"	5-1/32"	4-1/4"	5-3/16"	16"	5/8"	15	3 pc.
	6"	7-1/32"	6-3/8"	5-1/2"	16"	5/8"	15	3 pc.
20" - 24"	8"	9-1/32"	8-5/16"	5-5/8"	20"	5/8"	18	3 pc.
	10"	11-1/32"	10-1/4"	6-1/8"	20"	3/4"	18	3 pc.
	12"	13-1/32"	12-1/4"	6-1/4"	24"	3/4"	21	3 pc.
	4"	5-1/32"	4-1/4"	5-3/16"	16"	3/4"	15	3 pc.
20" - 24"	6"	7-1/32"	6-3/8"	5-1/2"	16"	3/4"	15	3 pc.
	8"	9-1/32"	8-5/16"	5-5/8"	20"	3/4"	18	3 pc.
	10"	11-1/32"	10-1/4"	6-1/8"	20"	3/4"	18	3 pc.
20" - 24"	12"	13-1/32"	12-1/4"	6-1/4"	24"	3/4"	21	3 pc.

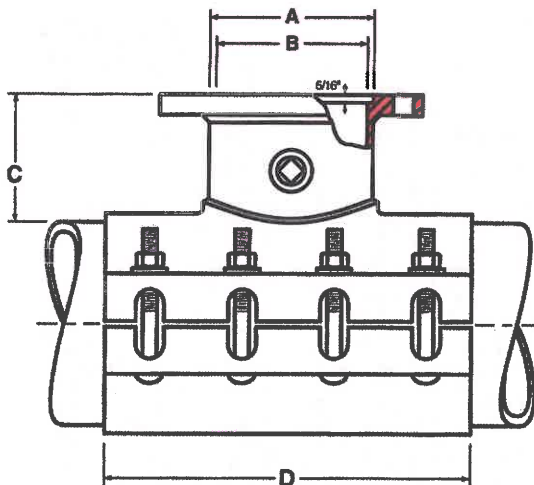
# Specifications

## Ford All Stainless Tapping Sleeve with Removable Bolts and 360° Gasket Style FTSS

Ford FTSS Tapping Sleeves have a heavy gauge stainless steel body with removable bolts. A gridded gasket surrounds the pipe, which cushions the pipe and helps prevent pipe breaks. All welds are chemically passivated to ensure maximum corrosion protection.



### FTSS Dimensions



NOM. PIPE SIZE	FLANGED OUTLET SIZE	A	B	C	D	SIZE BOLT	NUMBER OF BOLTS
4" through 12"	4"	5-1/32"	4-1/4"	5-3/16"	15"	5/8"	8
	6"	7-1/32"	6-3/8"	5-1/2"	15"	5/8"	8
	8"	9-1/32"	8-5/16"	5-5/8"	20"	5/8"	12
	10"	11-1/32"	10-1/4"	6-1/8"	20"	3/4"	12
14" through 16"	12"	13-1/32"	12-1/4"	6-1/4"	24"	3/4"	14
	4"	5-1/32"	4-1/4"	5-3/16"	16"	3/4"	10
	6"	7-1/32"	6-3/8"	5-1/2"	16"	3/4"	10
	8"	9-1/32"	8-5/16"	5-5/8"	20"	3/4"	12
18" through 24"	10"	11-1/32"	10-1/4"	6-1/8"	20"	3/4"	12
	12"	13-1/32"	12-1/4"	6-1/4"	24"	3/4"	14
	4"	5-1/32"	4-1/4"	5-3/16"	16"	3/4"	10
	6"	7-1/32"	6-3/8"	5-1/2"	16"	3/4"	10
	8"	9-1/32"	8-5/16"	5-5/8"	20"	3/4"	14
	10"	11-1/32"	10-1/4"	6-1/8"	20"	3/4"	14
	12"	13-1/32"	12-1/4"	6-1/4"	24"	3/4"	16

## Ford All Brass Saddle for PVC Pipe Numbering System

TYPE OF SADDLE  
S = Brass saddle

TYPE OF OUTLET THREAD  
0 = Tapped AWWA  
1 = Tapped Iron Pipe

**S 7 0 - 20 3**

TYPE OF MAIN TO BE TAPPED  
7 = PVC Main - Steel O.D.  
9 = PVC Main - Cast Iron O.D.

SIZE PVC MAIN  
20 = 2"  
25 = 2-1/2"  
30 = 3"  
40 = 4"  
50 = 5"  
60 = 6"  
80 = 8"  
100 = 10"  
120 = 12"

SIZE OUTLET THREAD  
1 = 1/2"  
3 = 3/4"  
4 = 1"  
5 = 1-1/4"  
6 = 1-1/2"  
7 = 2"

Note: S902 and S912 styles are 4", 6" and 8" two-piece bolted saddles. These saddles follow the same numbering system except the "2" distinguishes these saddles from the hinged saddles of the same size.

## Ford Tapping Sleeve Numbering System

TYPE OF TAPPING SLEEVE

- FAST = All stainless steel tapping sleeve
- FTSS = All stainless steel tapping sleeve with removable bolts
- FTS = Standard steel tapping sleeve
- FTSC = Epoxy coated steel tapping sleeve with stainless steel bolts

OPTIONS

- A = Optional carbon steel flange on FAST & FTSS
- SH = Optional stainless steel nuts and bolts on FTS

**FAST - 970 - 4A**

SIZE OF OD

Use OD size as per catalog

FLANGE SIZE

CODE

- 4 = 4"
- 6 = 6"
- 8 = 8"
- 10 = 10"
- 12 = 12"
- 16 = 16"



Ford offers more than 10,000 products that are Classified by Underwriters Laboratories Inc. to ANSI/NSF Standard 61. To verify if a product is Classified by Underwriters Laboratories Inc. to ANSI/NSF Standard 61, contact the Ford Meter Box Customer Service Department at 260-563-3171 or visit [fordmeterbox.com](http://fordmeterbox.com) and look for the LXI approved product listing. Ford's LXI Approved products are typically available at no additional cost and only those brass products treated through the Kunkel Process (US patents 6,432,210 and 6,447,616) cost slightly more. Ford Meter Box meets your need for ANSI/NSF Standard 61 Approved Items with products that are proven and reliable. Look for LXI on the product label.



## Information

Ford service saddles are used to install corporation stops on virtually all types of water main pipe including iron, PVC, and asbestos-cement. Saddles constructed of ductile iron, brass, or stainless steel are available in all the popular sizes and for most metric-sized pipe. All saddles feature 3/4" through 2" tapped outlets manufactured to ANSI/AWWA C800 or British Standard Pipe threads, as required.

Ductile iron saddles are available with either single or double electro-galvanized steel straps or with optional stainless steel bands. Brass saddles are cast of 85-5-5-5 water works brass. The popular S70-S90 series features a hinged design and the 101B-202B series incorporates silicon bronze straps or optional stainless steel bands.

Tapping sleeves of fabricated steel and stainless steel round out the Ford line of tapping devices. Each sleeve has a flange outlet conforming to AWWA C207 Class D-ANSI 150 lb. drilling and the standard sizes have been optimized for U.S. Pipe Standards. Flanges conforming to alternate AWWA or international specifications are also available upon request. The FAST sleeve is featured in this catalog section and details may be found on pages 4 and 5.





LXI Products meet  
ANSI/NSF Standard 61  
see page 3

# Ford Stainless Tapping Sleeve

Style FAST Tapping Sleeve  
with Stainless Steel or Carbon Steel Flange

**To Order:** Select the catalog sleeve number for the desired range and complete the catalog number by adding the flange code. Example: The complete catalog number for a 6" ductile iron pipe (6.90 O.D.) with a 4" stainless steel flange is FAST-730-4. The FAST-700-4 with a range of 6.60 to 7.00 could also be used on 6.90 O.D. pipe. Please call for prices and delivery on pipe O.D. sizes not covered by our standard range.

NOM. PIPE SIZE	SLEEVE O.D. RANGE	SLEEVE NUMBER	BY	STAINLESS STEEL SIZE FLANGE CODE	OPTIONAL CARBON STEEL FLANGE CODE	APPROX. WT. LBS.
4"	4.50-4.80	FAST-480	X	4	4A	25
	4.80-5.10	FAST-510				
	5.05-5.30	FAST-530				
6"	6.60-7.00	FAST-700	X	4	4A	31
	6.90-7.30	FAST-730				
	7.10-7.50	FAST-750				
8"	8.63-9.05	FAST-905	X	4	4A	32
	9.05-9.45	FAST-945				
	9.30-9.70	FAST-970				
10"	10.75-11.15	FAST-1115	X	4	4A	34
	11.05-11.45	FAST-1145				
	11.75-12.15	FAST-1215				
12"	12.75-13.20	FAST-1320	X	4	4A	37
	13.10-13.50	FAST-1350				
	14.00-14.40	FAST-1440				
14"	15.30-15.70	FAST-1570	X	4	4A	62
	15.80-16.20	FAST-1620				
	16.48-16.88	FAST-1688				
16"	17.40-17.80	FAST-1780	X	4	4A	77
	17.75-18.15	FAST-1815				
	18.60-19.00	FAST-1900				
18"	19.50-19.92	FAST-1992	X	4	4A	78
	19.80-20.20	FAST-2020				
20"	20.20-20.60	FAST-2060	X	4	4A	83
	21.20-21.60	FAST-2160				
	21.86-22.26	FAST-2226				
24"	23.80-24.20	FAST-2420	X	4	4A	90
	25.60-26.00	FAST-2600				